

DRAWING MADE IN THIRD ANGLE PROJECTION

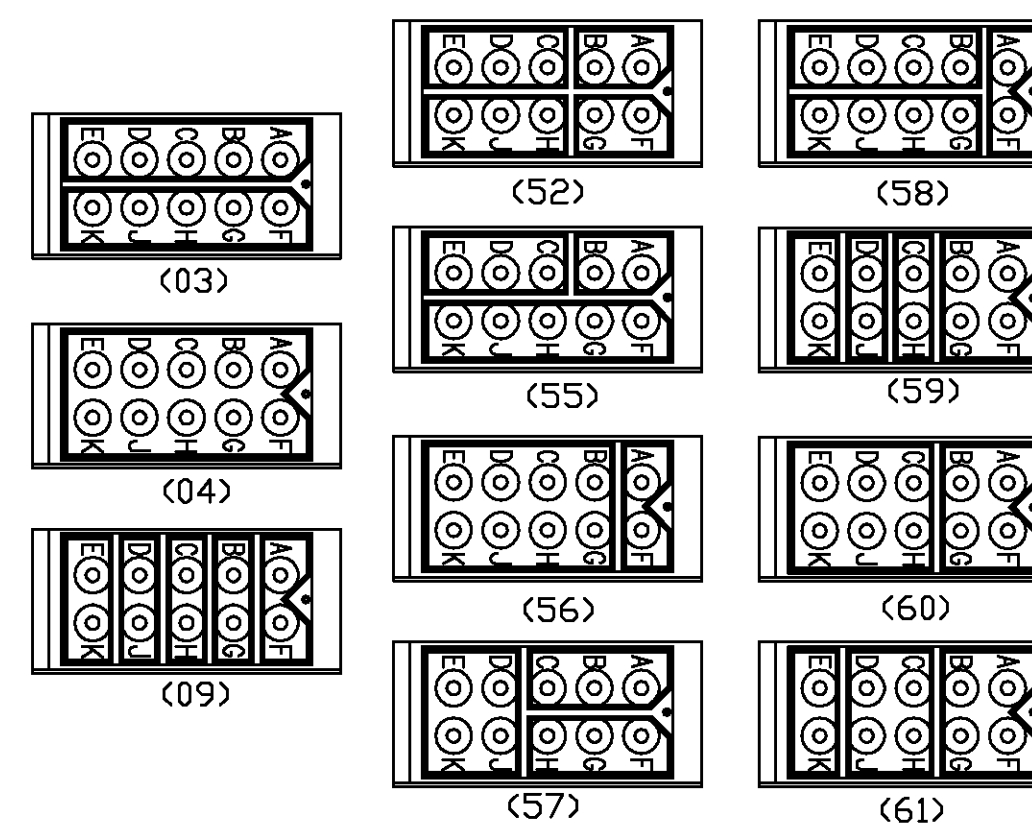
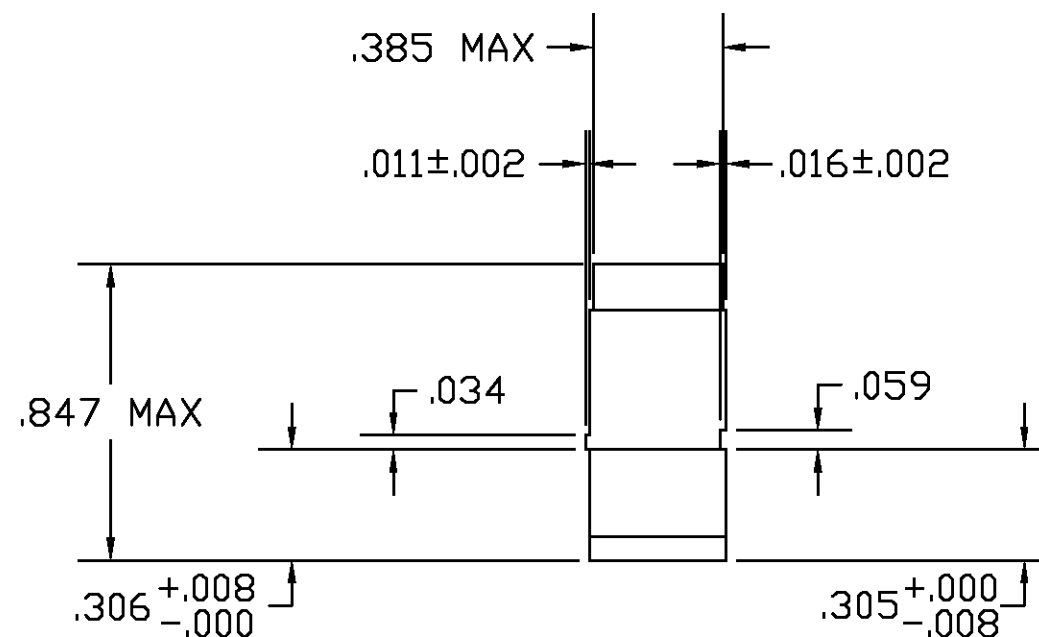
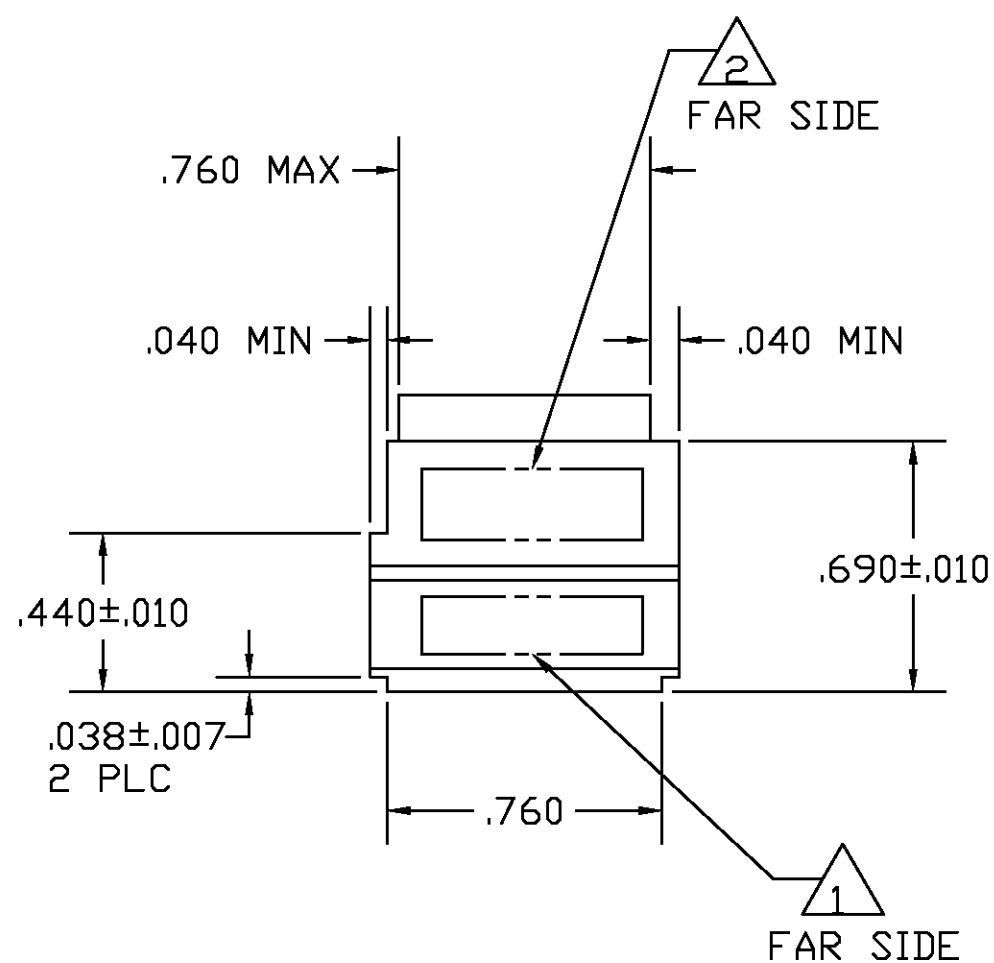
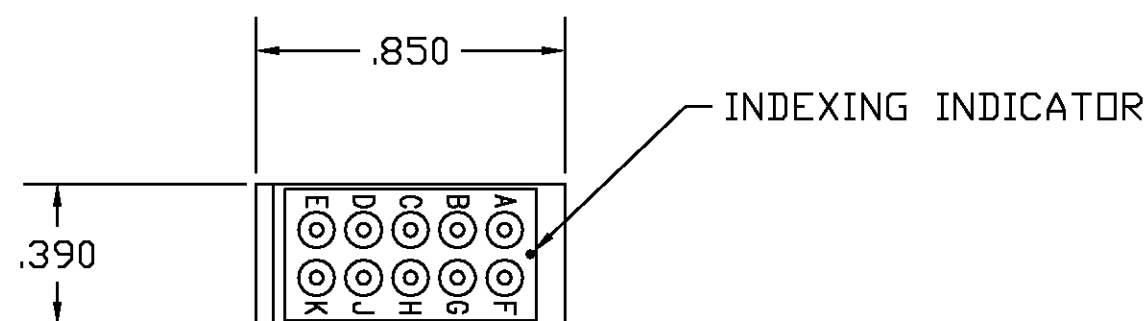
THIS DRAWING IS UNPUBLISHED. RELEASED FOR PUBLICATION, 19

© COPYRIGHT 19 BY AMP INCORPORATED. ALL INTERNATIONAL RIGHTS RESERVED

LOC DF AD

REVISIONS						
P	F	ZONE	LTR	DESCRIPTION	DATE	APPROVED
			D	RELEASE OF NEW PRODUCT	06/94	-
			A	REV PER 0600-8261-98 JB	02/99	DM

DESCRIPTION	MATERIAL	FINISH
MODULE ASSEMBLY	EPOXY EPIALL 1908-B, 703381-1 OR E-484, 703510-1 OR FIBERITE E-8354, 18756-1	COLOR: BLACK
GROMMET	FLUORSILICONE BLEND	COLOR: BLUE
CONTACT SOCKET	BERYLLIUM COPPER ASTM-B194	GOLD PLATE PER MIL-G-45204
RETAINING CLIP	BERYLLIUM COPPER ASTM-B194 OR STAINLESS STEEL PER QQ-S-766	NONE
CONTACTS	COPPER ALLOY PER MIL-C-39029/1	GOLD PLATE PER MIL-G-45204
SEALING PLUGS	F.E.P. PER MIL-P-19468	COLOR: RED



BUSSING ARRANGEMENTS Δ_3

- Δ_4 CONTACTS AND SEALING PLUGS ARE PACKAGED SEPARATELY WHEN REQUIRED.
- Δ_3 BUSSING ARRANGEMENT OUTLINE DENOTES INTERNAL ARRANGEMENT OF SOCKET CONTACTS.
- Δ_2 MARK MODULE ASSEMBLY WITH CUSTOMER PART NO., MILITARY PART NO. IF REQUIRED .060 MINIMUM HIGH CHARACTERS AT APPROXIMATE AREA SHOWN.
- Δ_1 MARK MODULE ASSEMBLY WITH "AMP", AMP PART NO. AND DATE CODE .060 MINIMUM HIGH CHARACTERS AT APPROXIMATE AREA SHOWN.

THIS DRAWING IS A CONTROLLED DOCUMENT FOR AMP INCORPORATED. IT IS SUBJECT TO CHANGE AND THE CONTROLLING ENGINEERING ORGANIZATION SHOULD BE CONTACTED FOR THE LATEST REVISION.

DO NOT SCALE PRINT. UNLESS OTHERWISE SPECIFIED DIMENSIONS ARE IN INCHES. TOLERANCES ON: 2 PLC DEC ± --- 3 PLC DEC ± .005 ANGLES ± ---		CONTRACT NO DR T. THOMPSON 06-24-94 CHK J. HARMAN 7-7-94 APPD J. HARMAN 7-7-94 APPD S. WRIGHT 7-7-94 DSGN APPD OTHER APPD		PART NO	
MATERIAL		AMP INCORPORATED Harrisburg, Pa. 17105		NAME MODULE, FEED-BACK SIZE 20 ASSEMBLY TJ	
FINISH		SIZE C	FSCM NO 00779	DRAWING NO 592624	
		SCALE 2 : 1		SHEET 1 OF 2	

DRAWING MADE IN THIRD ANGLE PROJECTION

THIS DRAWING IS UNPUBLISHED. RELEASED FOR PUBLICATION, 19

© COPYRIGHT 19 BY AMP INCORPORATED. ALL INTERNATIONAL RIGHTS RESERVED

LOC DF DIST AD

REVISIONS						
P	F	ZONE	LTR	DESCRIPTION	DATE	APPROVED
		-		--- SEE SHEET ONE ---	-	-

M81714/2-DC2					X					X	X	2-592624-2	
	X											2-592624-1	
	X									X	X	2-592624-0	
		X										1-592624-9	
M81714/2-DB3		X								X	X	1-592624-8	
			X									1-592624-7	
			X							X	X	1-592624-6	
				X								1-592624-5	
				X						X	X	1-592624-4	
					X							1-592624-3	
M81714/2-DC1				X						X	X	1-592624-2	
					X							1-592624-1	
M81714/2-DB2					X					X	X	1-592624-0	
						X						592624-9	
							X					592624-8	
M81714/2-DD1							X			X	X	592624-7	
								X				592624-6	
M81714/2-DE1								X		X	X	592624-5	
									X			592624-4	
M81714/2-DA1									X	X	X	592624-3	
										X		592624-2	
M81714/2-DB1										X	X	592624-1	
MARKING	6160595857565552090403						SEALING PLUG	CONTACTS	PART NO.				
	BUSSING ARRANGEMENTS						QTY 2	QTY 11					

592624

DO NOT SCALE PRINT. UNLESS OTHERWISE SPECIFIED DIMENSIONS ARE IN INCHES. TOLERANCES ON: 2 PLC DEC ± 3 PLC DEC ± ANGLES ±		CONTRACT NO DR T. THOMPSON 06-24-94 CHK J. HARMAN 7-7-94 APPD J. HARMAN 7-7-94 APPD S. WRIGHT 7-7-94 DSGN APPD OTHER APPD		AMP INCORPORATED Harrisburg, Pa. 17105	
MATERIAL		NAME MODULE, FEED-BACK SIZE 20 ASSEMBLY TJ		DRAWING NO 592624	
FINISH		SIZE C		FSCM NO 00779	
THIS DRAWING IS A CONTROLLED DOCUMENT FOR AMP INCORPORATED. IT IS SUBJECT TO CHANGE AND THE CONTROLLING ENGINEERING ORGANIZATION SHOULD BE CONTACTED FOR THE LATEST REVISION.		SCALE 1 : 1		SHEET 2 OF 2	